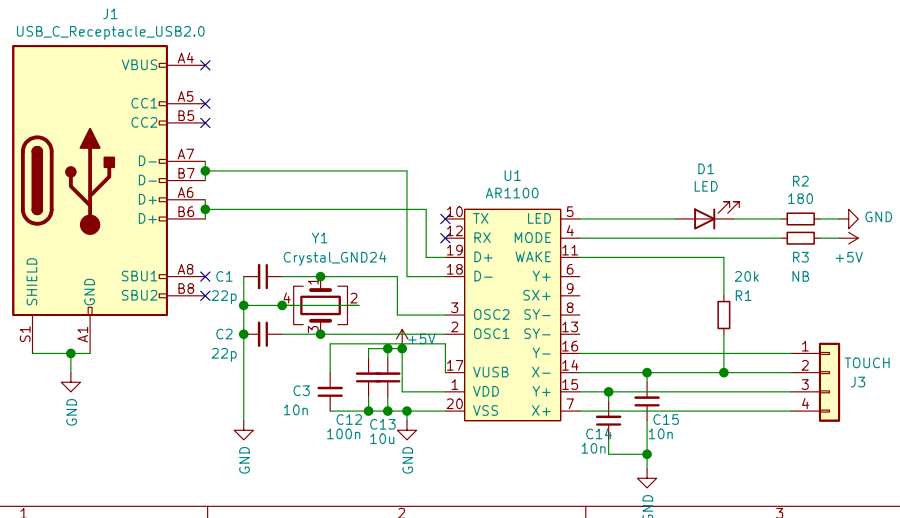


removed 5V from USB because it will be the same as from the Pi header



Sheet: /	Date:
File: rgb_lcd_pihat.sch	
Title:	
Size: A4	Rev: 1/1
KiCad E.D.A. kicad (5.1.9)-1	

